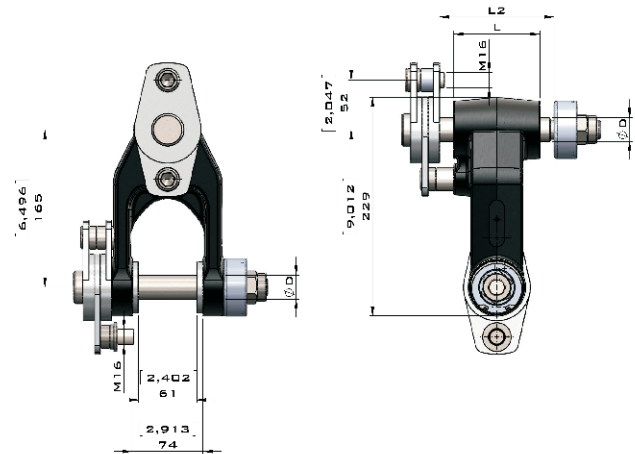
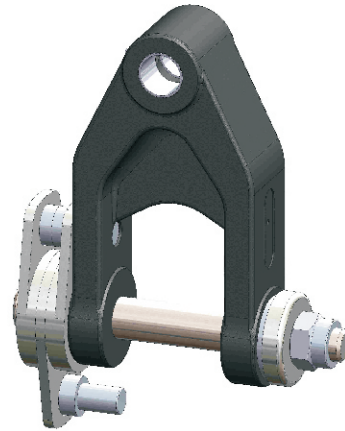
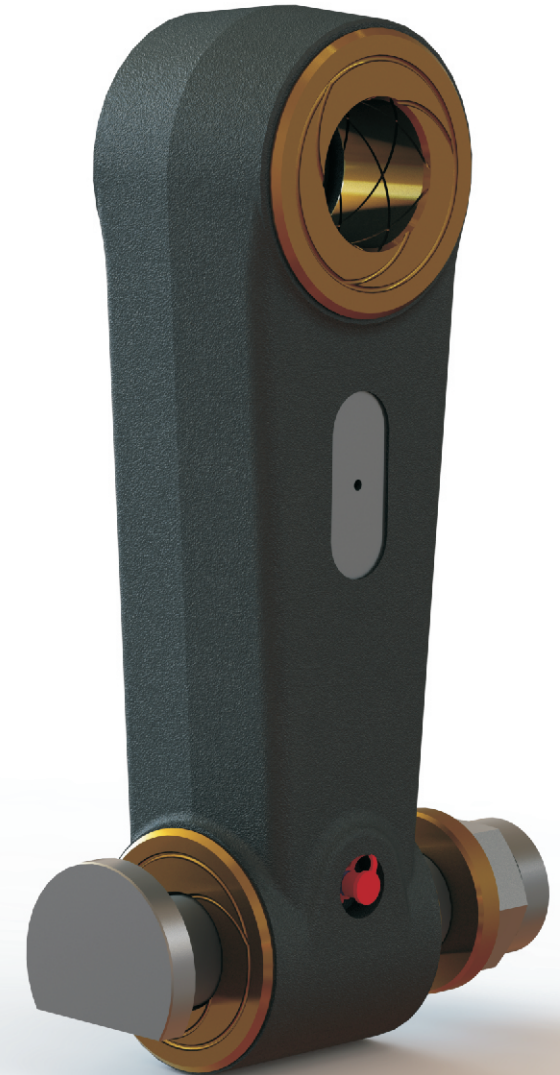
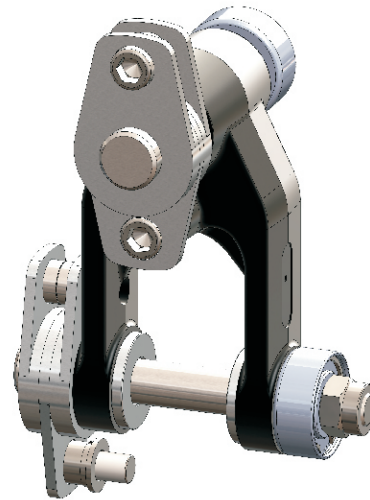
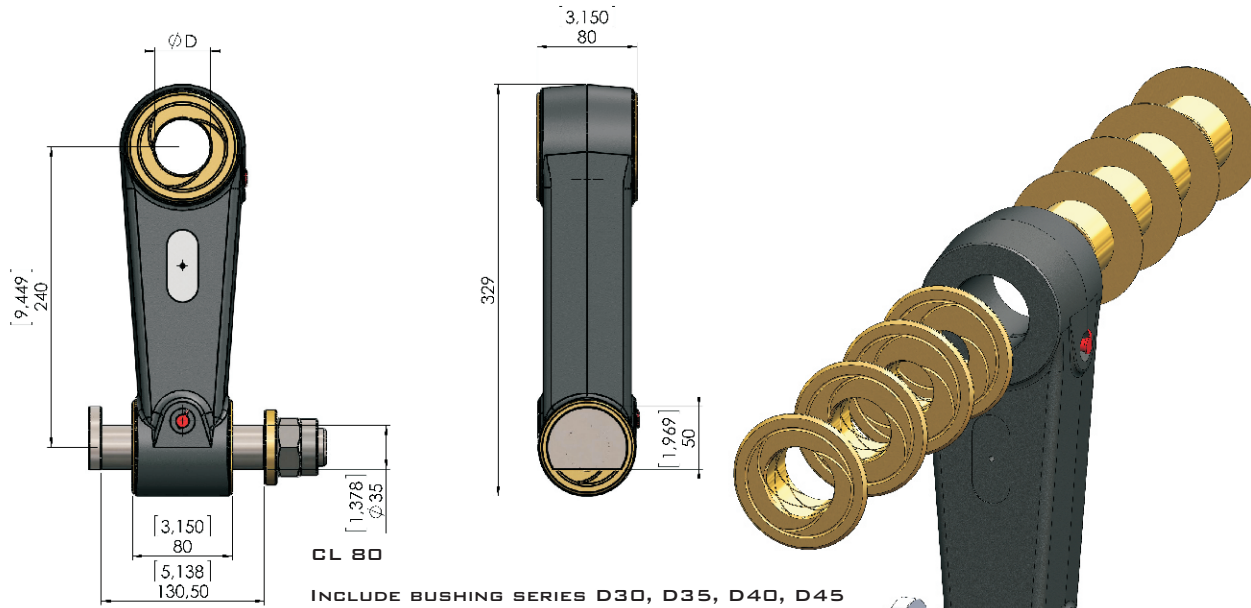


NAME	FOR ROTATOR	BRAKES
CL 7325-6025	300,400	NO BRAKE
CBL 7325-6025	300,400	LOWER BRAKE



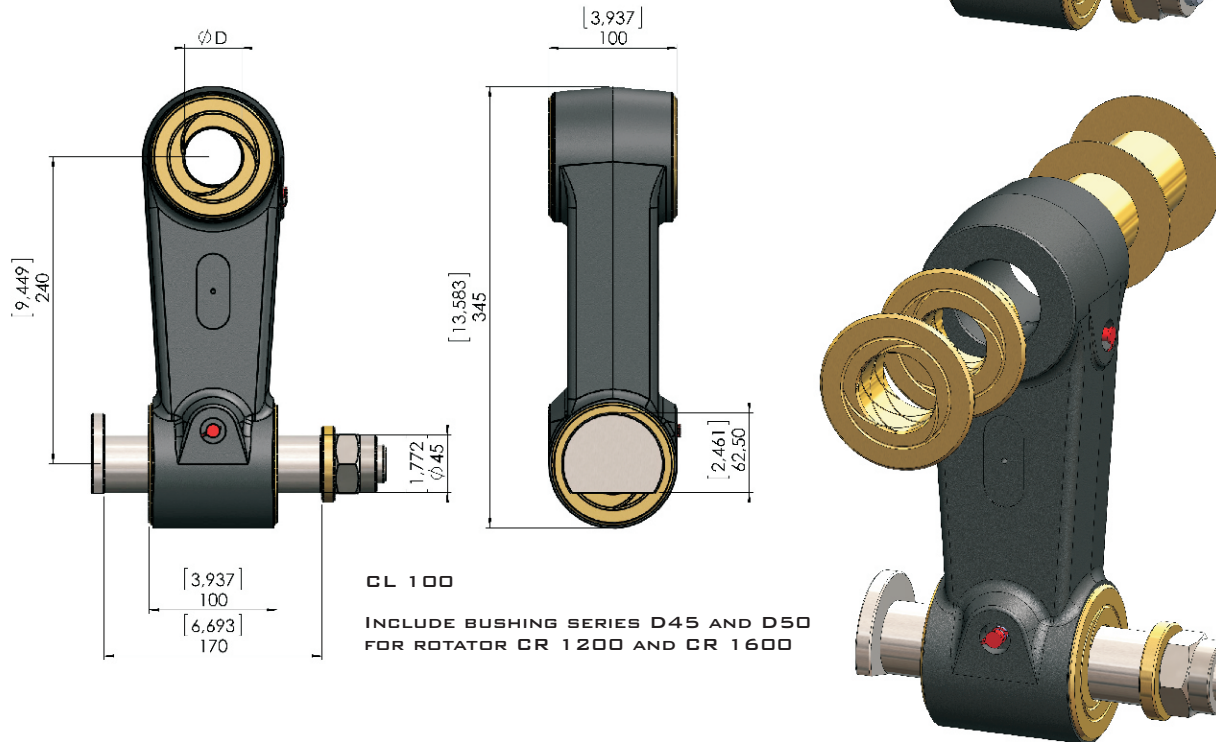
NAME	FOR ROTATOR	D	L	L2	BRAKES
CL 7325-8025	300,400	25	80	110	NO BRAKE
CBL 7325-8025	300,400	25	80	110	LOWER BRAKE
CDBL 7325-8025	300,400	25	80	110	DOUBLE BRAKE
CL 7330-8030	500	30	80	110	NO BRAKE
DBL 7330-8030	500	30	80	110	LOWER BRAKE
CDBL 7330-8030	500	30	80	110	DOUBLE BRAKE
CL 7325-9025	300,400	25	90	120	NO BRAKE
CBL 7325-9025	300,400	25	90	120	LOWER BRAKE
CDBL 7325-9025	300,400	25	90	120	DOUBLE BRAKE
CL 7330-9030	500	30	90	120	NO BRAKE
CBL 7330-9030	500	30	90	120	LOWER BRAKE
CDBL 7330-9030	500	30	90	120	DOUBLE BRAKE





CL 80

INCLUDE BUSHING SERIES D30, D35, D40, D45 FOR ROTATOR CR 600, CR 800 AND CR 1000



CL 100

INCLUDE BUSHING SERIES D45 AND D50 FOR ROTATOR CR 1200 AND CR 1600



SELECT A CL SERIES LINKS, WITH OR WITHOUT BRAKES.

WHEN YOU NEED THE BEST LOADING CONTROL.

CHOOSE GENUINE **FINN ROTOR** ORIGINAL ACCESSORIES TO ENSURE SMOOTH WORKING. FROM THE WIDE VARIETY, YOU WILL FIND ALL NECESSARY ACCESSORIES.

get Your crane moving!



get Your crane moving!

FINN-ROTOR OY

WWW.FINN-ROTOR.RU

TEA: +7 (499) 755-61-34

E-MAIL: INFO@FINN-ROTOR.RU