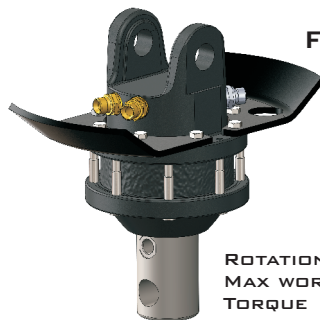


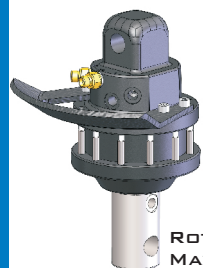
FR 7 -SERIES

ROTATION ANGLE	UNLIMITED
MAX WORKING PRESSURE	200 BAR
TORQUE	780 NM
MAX AXIAL FORCE	30 KN
SAFE WORKING LOAD	2000 KG
WEIGHT	16-22 KG



FR 21 -SERIES

ROTATION ANGLE	UNLIMITED
MAX WORKING PRESSURE	200 BAR
TORQUE	1350 NM
MAX AXIAL FORCE	112 KN
SAFE WORKING LOAD	7500 KG
WEIGHT	39-45 KG



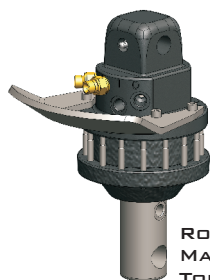
FR 10 -SERIES

ROTATION ANGLE	UNLIMITED
MAX WORKING PRESSURE	200 BAR
TORQUE	1000 NM
MAX AXIAL FORCE	60 KN
SAFE WORKING LOAD	4000 KG
WEIGHT	20-26 KG



FR 26 -SERIES

ROTATION ANGLE	UNLIMITED
MAX WORKING PRESSURE	200 BAR
TORQUE	2200 NM
MAX AXIAL FORCE	120-150 KN
SAFE WORKING LOAD	6-10 TKG
WEIGHT	58-65 KG



FR 15 -SERIES

ROTATION ANGLE	UNLIMITED
MAX WORKING PRESSURE	200 BAR
TORQUE	1150 NM
MAX AXIAL FORCE	82 KN
SAFE WORKING LOAD	5500 KG
WEIGHT	25-32 KG



FR M -SERIES

ROTATION ANGLE	UNLIMITED
MAX WORKING PRESSURE	200 BAR
TORQUE	1150-2200 NM
MAX AXIAL FORCE	60-150 KN
SAFE WORKING LOAD	4-7,5 TKG
WEIGHT	25-50 KG



FR ROTATORS



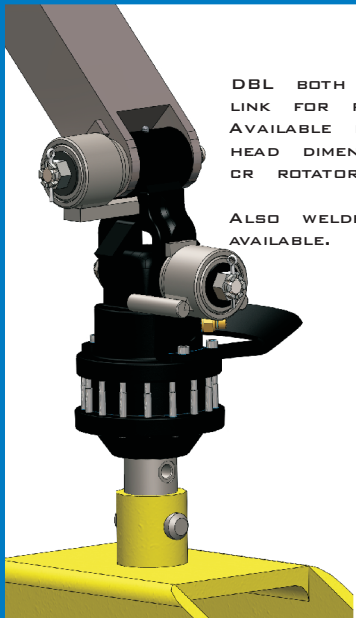
SELECT A FR-SERIES WHEN YOU NEED A SELECTIVE AND SPECIAL CLUTCH OPTIONS.

A LIGHT WEIGHT AND GOOD LOAD-CARRYING CAPABILITY. AVAILABLE IN A VARIETY OF CUSTOMER-SPECIFIC MODELS.

CHOOSE GENUINE FINN ROTOR ORIGINAL ACCESSORIES TO ENSURE SMOOTH WORKING. FROM THE WIDE VARIETY, YOU WILL FIND ALL NECESSARY ACCESSORIES. LINKS, BRAKELINKS, FLANGES AND HOUSINGS.

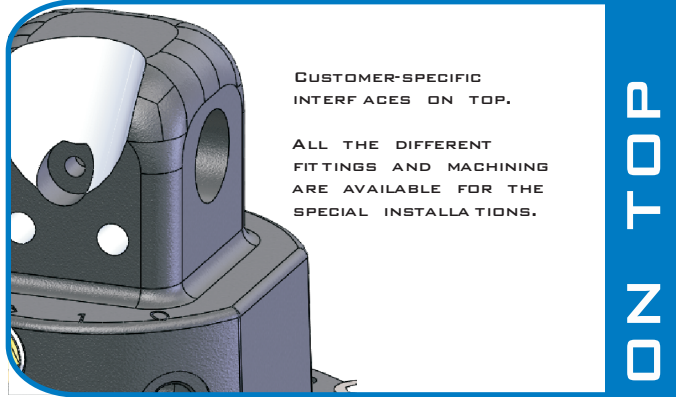
get Your crane moving!

DBL BRAKELINK



DBL BOTH DIRECTION BRAKING LINK FOR PROFESSIONAL USE. AVAILABLE FOR EVERY BOOM HEAD DIMENSIONS AND CR ROTATORS.

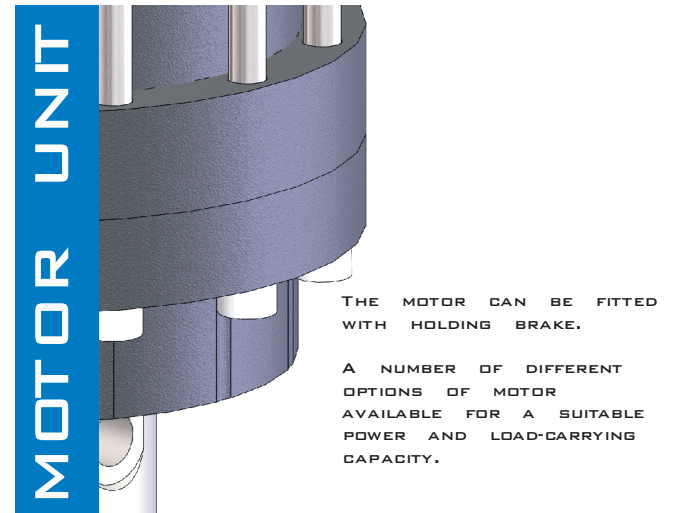
ALSO WELDED BOOM HEAD IS AVAILABLE.



CUSTOMER-SPECIFIC INTERFACES ON TOP.

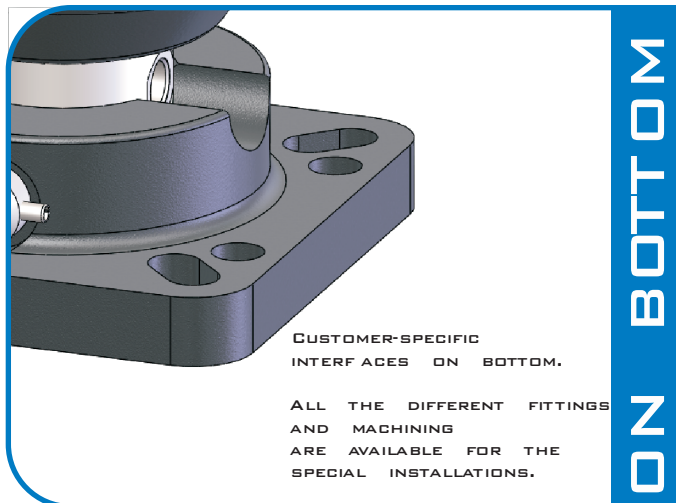
ALL THE DIFFERENT FITTINGS AND MACHINING ARE AVAILABLE FOR THE SPECIAL INSTALLATIONS.

ON TOP



THE MOTOR CAN BE FITTED WITH HOLDING BRAKE.

A NUMBER OF DIFFERENT OPTIONS OF MOTOR AVAILABLE FOR A SUITABLE POWER AND LOAD-CARRYING CAPACITY.



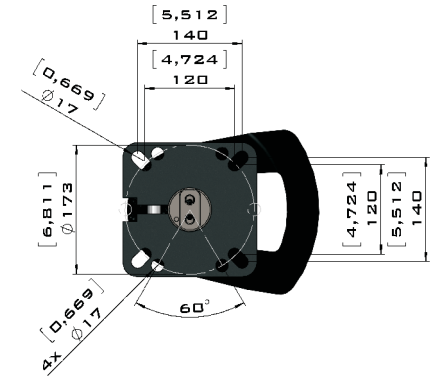
CUSTOMER-SPECIFIC INTERFACES ON BOTTOM.

ALL THE DIFFERENT FITTINGS AND MACHINING ARE AVAILABLE FOR THE SPECIAL INSTALLATIONS.

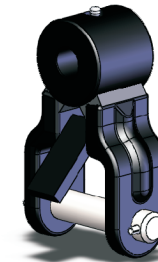
ON BOTTOM

ACCESSORIES

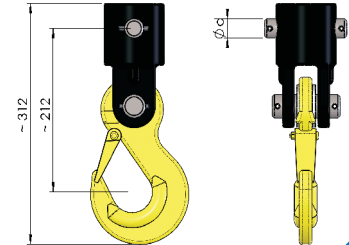
FLANGES



LINKS



LIFTING HOOKS



get Your crane moving!

FINN-ROTOR OY

WWW.FINN-ROTOR.RU

TEL: +7 (499) 755-61-34

E-MAIL: INFO@FINN-ROTOR.RU

CONTACT